



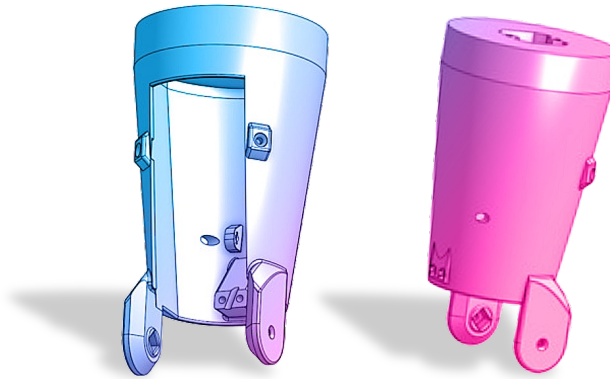
How to build your robot

www.pib.rocks/build

assembly instructions for:

FOREARM

v2024



PRINT

BUILD

DEVELOP

YOUR OWN ROBOT

Printable parts

Pib's forearm consists of 3 **printable parts** and is assembled in 4 **steps**.

In order to construct the forearm, you will need to print the forearm parts as seen in the table.

Please note: For better readability we use abbreviations in the tutorial: C19 instead of C19-Forearm_distal_top.

Printable parts

C19-Forearm_distal_top

C20-Forearm_cover

C24-Forearm_tube_enclosure

C50-Wrist Connector (x2)

Non-printable parts

You will also need the following non-printable parts from our pib.Box Master.

If you do not have it yet, you can buy in our shop
<https://shop.pib.rocks>.

Non-printable parts

4 x **S01** M3 nuts

2 x **S04** M3 10 mm screws

2 x **S10** M3 25 mm screws

1 x **M08** 20 mm metal rod

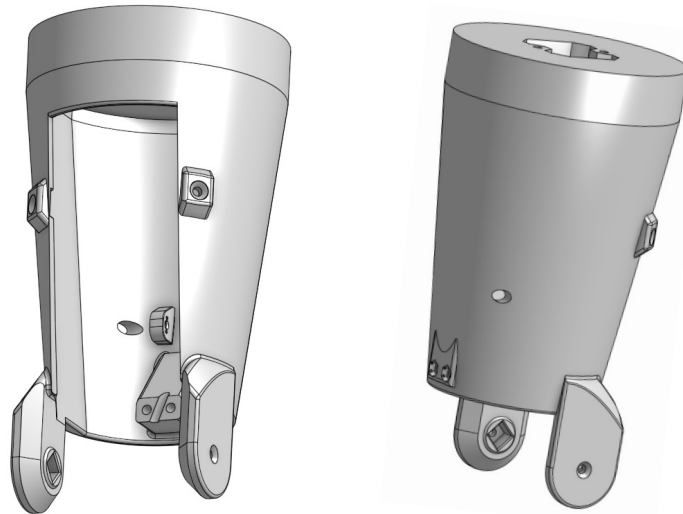
1 x **M11** T460 spring

55 cm Teflon tube

2 x tape block

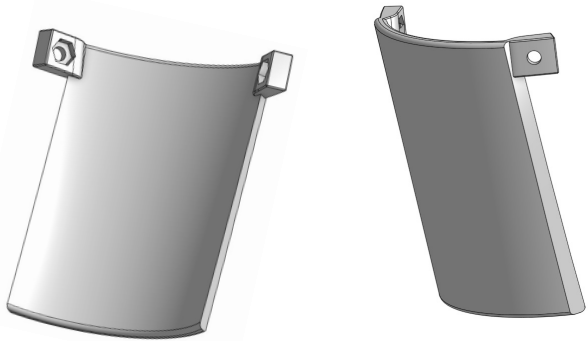
Printable parts - Overview

C19-Forearm_distal_top

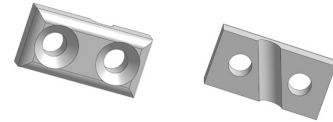


Printable parts - Overview

C20-Forearm_cover



C24-Forearm_tube_enclosure



Build it better: our suggestion for assembling pib



We recommend **tools** for each step. These are a suggestion, you can of course also use other tools.



1-5

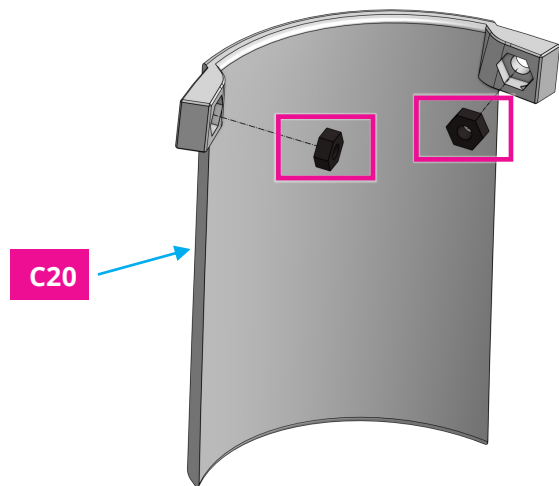
We have categorized each step according to its **difficulty** - from **1-5** (1 being the easiest, 5 the hardest)



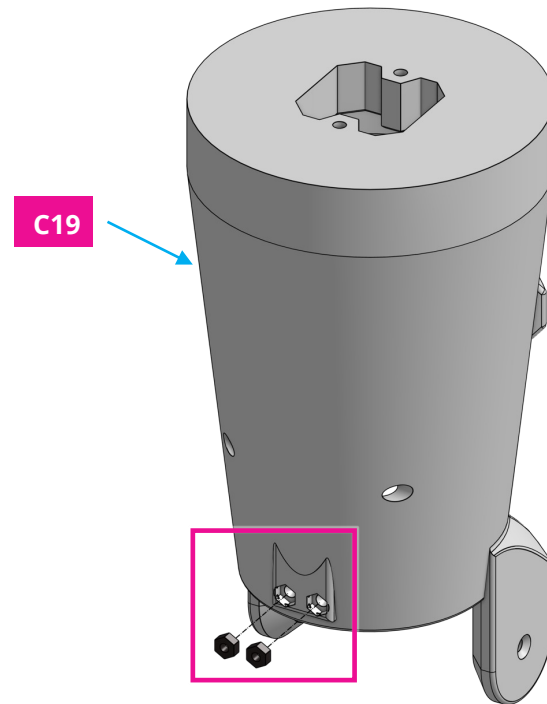
We also show you which **non-printable parts** you need for each step

Step 1

Insert **4 x nuts** in the shown spots in **C19** and **C20**.

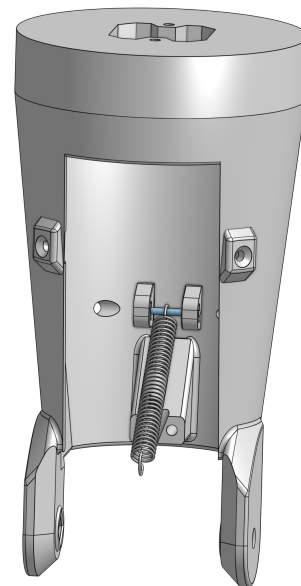
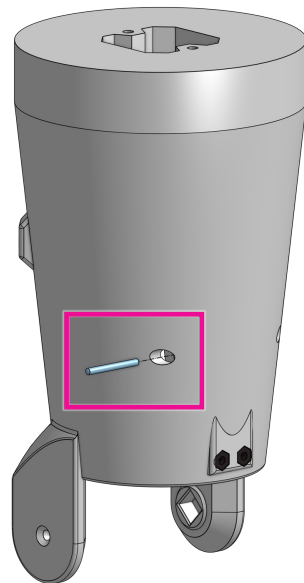
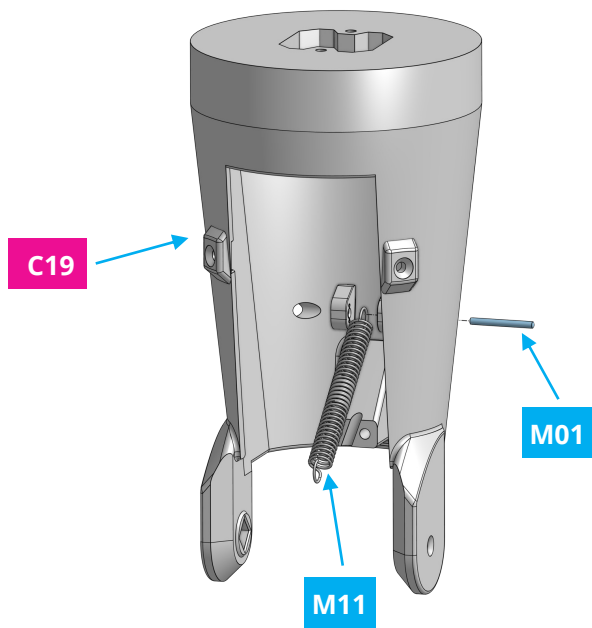


It may be helpful to use a hammer to put the nuts into the holes.



Step 2

Use **M01** (metal rod) to fix **M11** (TOR410-spring).



Step 3

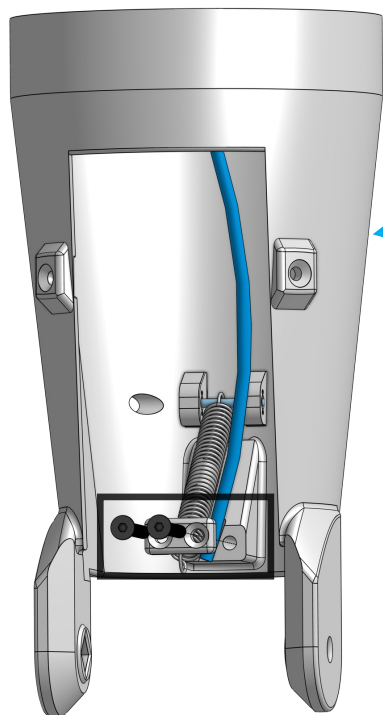
Cut 55cm of the **teflon tube**, wrap both ends with **tape** (not shown in picture) and place the teflon tube in the shown spot in **C19**. Lastly use **C24** and **2 x 25mm screws** to fix it.



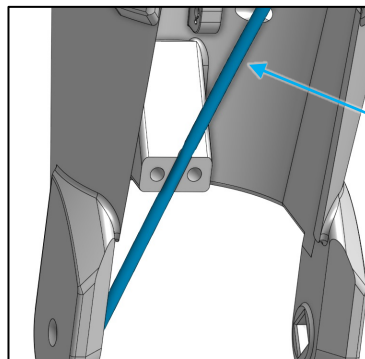
55 cm



2x



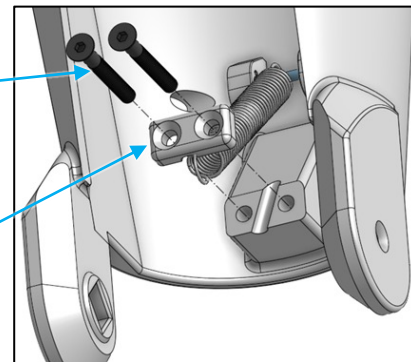
Both ends of the teflon tube should be wrapped with tape.



Teflon tube

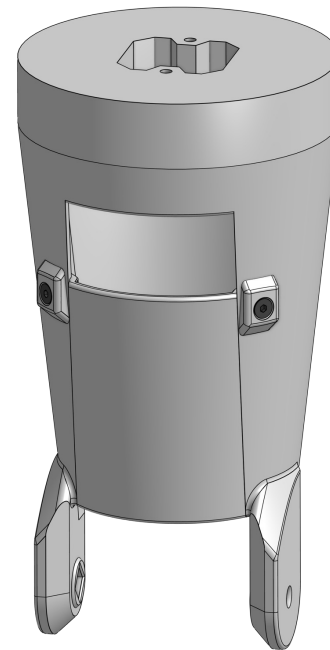
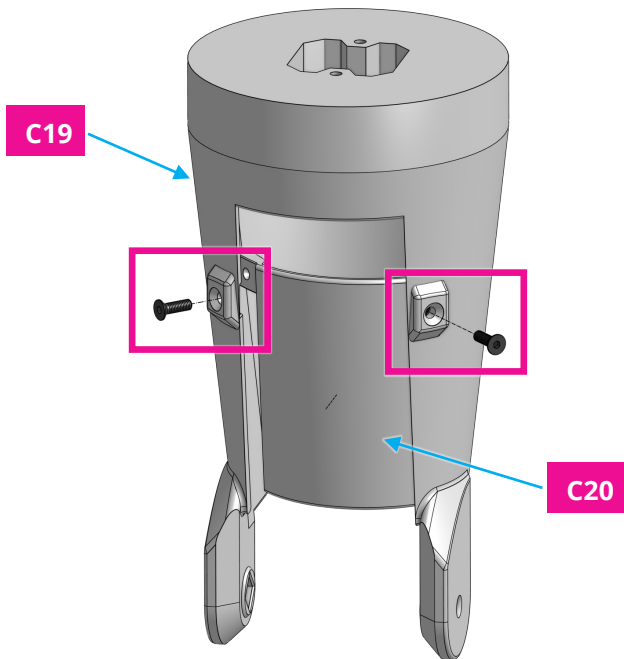
2 x 25 mm screws

C24



Step 4

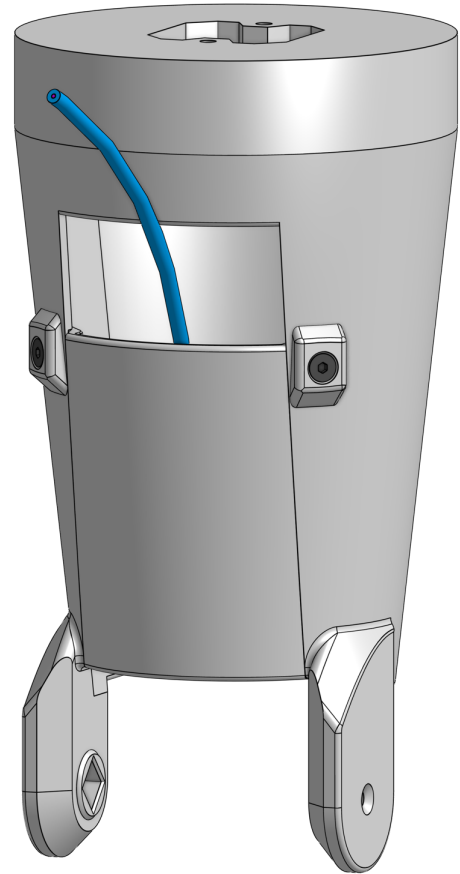
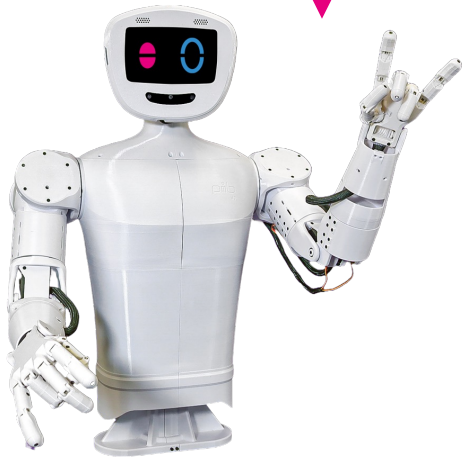
Connect **C20** to **C19** using **2x M3 12mm screws**. Do not tighten them yet, as we will remove them once again for wire guidance in the assembly-tutorial.



Congratulations

You did a great job, the forearm is assembled!

Well done!



Do you need support?

Or do you need our pib.Box with all non-printable parts?

Or maybe you have some new ideas and improvements?

Please contact us.



team@pib.rocks

Send us an email.



discord.com/invite/GRdpyeDu7P

Join us on Discord.



shop.pib.rocks

Order non-printable parts for pib.